

UMT™ 224 SERIES BI-SORTER

DESCRIPTION

THE UMT™ 224 SERIES 24" DIAMETER BI-SORTER WAS DESIGNED FOR MULTI-STORY BUILDINGS THAT WISH TO SORT RECYCLABLES AWAY FROM THE BUILDINGS TRASH WITH A SINGLE CHUTE SYSTEM.

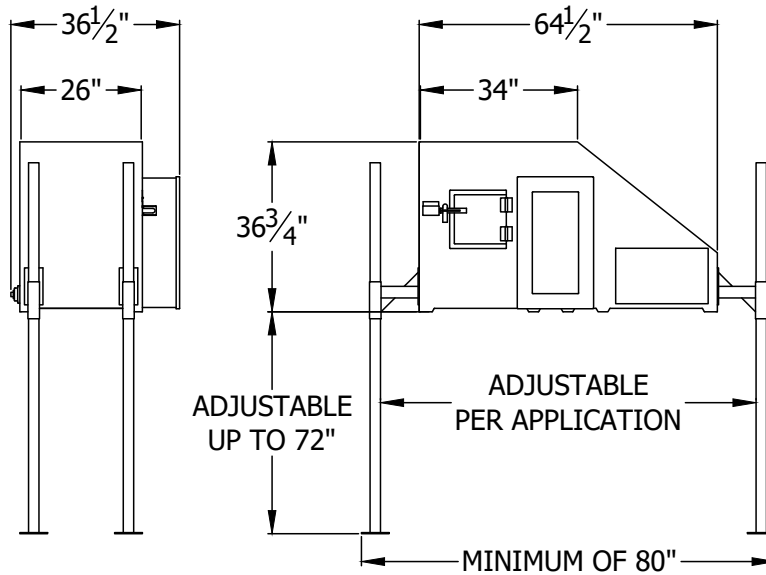
THE UMT™ 224 SERIES BI-SORTER IS INSTALLED BELOW THE BUILDINGS TRASH CHUTE WHICH WILL THEN ALLOW THE SORTING MECHANISM TO DIVERT TRASH TO A COMPACTOR OR CONTAINER AND RECYCLABLES TO A DEDICATED CONTAINER. THE DIVERTER IS CONTROLLED AT EACH INTAKE FLOOR. THE USER SELECTS THE DESIRED SORTING TYPE WITH A PUSH BUTTON. IF THE SORTER SYSTEM IS INSTALLED WITH OUR EASY-WAVE® INTERLOCK SYSTEM THE SELECTION BUTTONS WILL BE INTEGRAL WITH THE SYSTEM.

SORTER SPECIFICATIONS

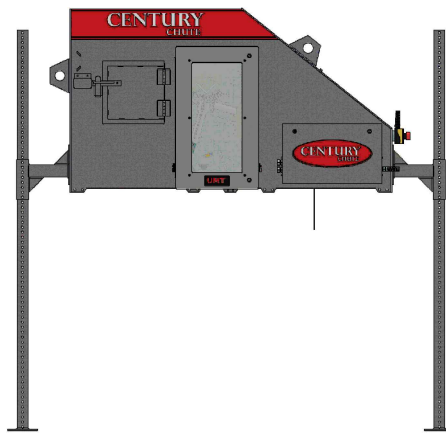
- THE SORTER BODY IS CONSTRUCTED OF 1/4" THICK STEEL WHICH IS CONTINUOUSLY WELDED AND HAS A POWDER COAT FINISH.
- THE DIVERTER PLATE IS CONSTRUCTED OF 1/2" THICK HEAVY DUTY GRADE ALUMINUM.
- SUPPORT LEGS ARE ADJUSTABLE TO ACCOMMODATE VARIOUS COMPACTORS AND CONTAINERS.

ELECTRICAL SPECIFICATIONS

- THE MAIN CONTROL PANEL RUNS 115VAC NOMINAL / 6 AMPS MAXIMUM.
- ALL CONTROLS ARE 24 VOLT DC.
- MAIN CONTROLLER HAS A 32 CHARACTER BACKLIT LCD DISPLAY.
- ALL ELECTRICAL COMPONENTS ARE UL LISTED.
- SENSOR BASED OPERATION - NO MECHANICAL LIMIT SWITCHES TO FAIL OR GO OUT OF ADJUSTMENT.
- SYSTEM STATUS IS DISPLAYED AT ALL TIMES.
- ACCESS DOOR IS SAFETY INTERLOCKED TO DISABLE SORTER WHEN OPENED.
- OPTIONAL BIN FULL SENSORS - SORTER IS LOCKED OUT WHEN BIN IS FULL.
- OPTIONAL BIN PRESENT SENSOR - SORTER LOCKED OUT IF BIN IS NOT PRESENT.
- ALL MECHANICAL PARTS ARE ENCLOSED TO ELIMINATE PINCH POINT INJURIES.



Century Chute LLC 105 INDUSTRIAL DR. MINOOKA, IL. 60447 <small>THIS DRAWING CONTAINS DOCUMENTATION OF A CONFIDENTIAL AND PROPRIETARY NATURE WHICH IS THE PROPERTY OF AMERICAN CHUTE LLC. IT MAY NOT BE COPIED OR REPRODUCED IN ANY WAY WITHOUT THE WRITTEN CONSENT OF AMERICAN CHUTE LLC. THIS DOCUMENT IS LOANED TO THE HOLDER BY AMERICAN CHUTE LLC AND IS SUBJECT TO RETURN ON DEMAND. THE EXPRESSED CONDITION OF THIS LOAN IS THAT IT WILL NOT BE USED DIRECTLY OR INDIRECTLY IN ANY WAY AS TO BE DETRIMENTAL TO THE INTERESTS OF AMERICAN CHUTE LLC.</small> <small>UNLESS OTHERWISE INDICATED, DIMENSIONS ARE IN INCHES AND TOLERANCES ARE AS FOLLOWS: XX = +/- .030 XXX = +/- .020 L = +/- 1/2" BREAK ALL SHARP EDGES ANY SPECIFIED SCALE IS FOR REFERENCE ONLY - DO NOT SCALE</small>	DWG BY: FP	DESCRIPTION
	DATE: 12/11/23	BISORTER FOR 24" DIAMETER CHUTE, A1 CONFIGURATION
	SHEET 1 OF 1	
REV A	PART # UMT 224 SERIES BISORTER	



UMT™ 230 SERIES BI-SORTER

DESCRIPTION

THE UMT™ 230 SERIES 30" DIAMETER BI-SORTER WAS DESIGNED FOR MULTI-STORY BUILDINGS THAT WISH TO SORT RECYCLABLES AWAY FROM THE BUILDINGS TRASH WITH A SINGLE CHUTE SYSTEM.

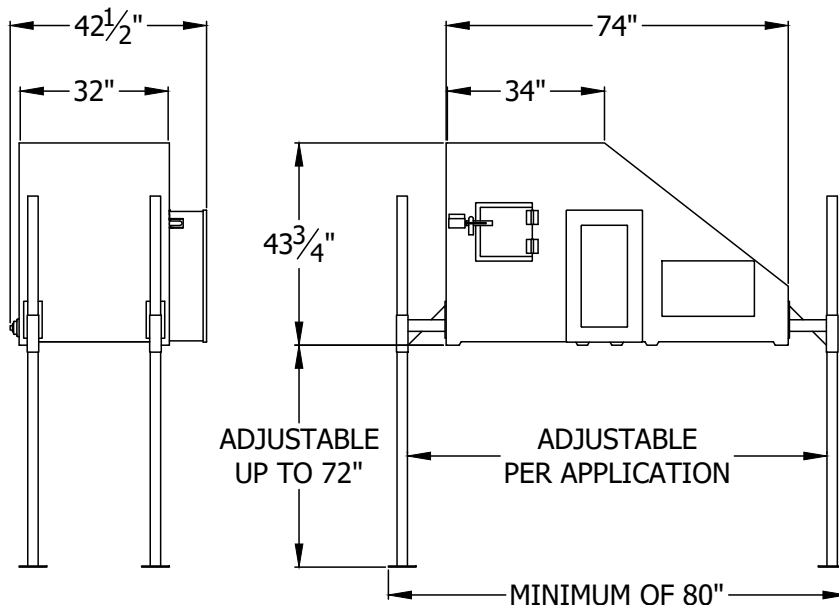
THE UMT™ 230 SERIES BI-SORTER IS INSTALLED BELOW THE BUILDINGS TRASH CHUTE WHICH WILL THEN ALLOW THE SORTING MECHANISM TO DIVERT TRASH TO A COMPACTOR OR CONTAINER AND RECYCLABLES TO A DEDICATED CONTAINER. THE DIVERTER IS CONTROLLED AT EACH INTAKE FLOOR. THE USER SELECTS THE DESIRED SORTING TYPE WITH A PUSH BUTTON. IF THE SORTER SYSTEM IS INSTALLED WITH OUR EASY-WAVE® INTERLOCK SYSTEM THE SELECTION BUTTONS WILL BE INTEGRAL WITH THE SYSTEM.

SORTER SPECIFICATIONS

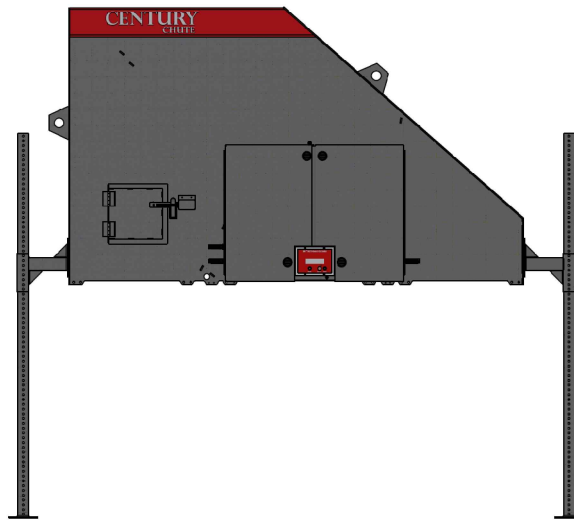
- THE SORTER BODY IS CONSTRUCTED OF 1/4" THICK STEEL WHICH IS CONTINUOUSLY WELDED AND HAS A POWDER COAT FINISH.
- THE DIVERTER PLATE IS CONSTRUCTED OF 1/2" THICK HEAVY DUTY GRADE ALUMINUM.
- SUPPORT LEGS ARE ADJUSTABLE TO ACCOMMODATE VARIOUS COMPACTORS AND CONTAINERS.

ELECTRICAL SPECIFICATIONS

- THE MAIN CONTROL PANEL RUNS 115VAC NOMINAL / 6 AMPS MAXIMUM.
- ALL CONTROLS ARE 24 VOLT DC.
- MAIN CONTROLLER HAS A 32 CHARACTER BACKLIT LCD DISPLAY.
- ALL ELECTRICAL COMPONENTS ARE UL LISTED.
- SENSOR BASED OPERATION - NO MECHANICAL LIMIT SWITCHES TO FAIL OR GO OUT OF ADJUSTMENT.
- SYSTEM STATUS IS DISPLAYED AT ALL TIMES.
- ACCESS DOOR IS SAFETY INTERLOCKED TO DISABLE SORTER WHEN OPENED.
- OPTIONAL BIN FULL SENSORS - SORTER IS LOCKED OUT WHEN BIN IS FULL.
- OPTIONAL BIN PRESENT SENSOR - SORTER LOCKED OUT IF BIN IS NOT PRESENT.
- ALL MECHANICAL PARTS ARE ENCLOSED TO ELIMINATE PINCH POINT INJURIES.



Century Chute LLC 105 INDUSTRIAL DR. MINOOKA, IL. 60447 <small>THIS DRAWING CONTAINS DOCUMENTATION OF A CONFIDENTIAL AND PROPRIETARY NATURE WHICH IS THE PROPERTY OF AMERICAN CHUTE LLC. IT MAY NOT BE COPIED OR REPRODUCED IN ANY WAY WITHOUT THE WRITTEN CONSENT OF AMERICAN CHUTE LLC. THIS DOCUMENT IS LOANED TO THE HOLDER BY AMERICAN CHUTE LLC AND IS SUBJECT TO RETURN ON DEMAND. THE EXPRESSED CONDITION OF THIS LOAN IS THAT IT WILL NOT BE USED DIRECTLY OR INDIRECTLY IN ANY WAY AS TO BE DETRIMENTAL TO THE INTERESTS OF AMERICAN CHUTE LLC.</small> <small>UNLESS OTHERWISE INDICATED, DIMENSIONS ARE IN INCHES AND TOLERANCES ARE AS FOLLOWS: XX = +/- .030 XXX = +/- .020 L = +/- 1/2" BREAK ALL SHARP EDGES ANY SPECIFIED SCALE IS FOR REFERENCE ONLY - DO NOT SCALE</small>	DWG BY: FP	DESCRIPTION
	DATE: 12/11/23	BISORTER FOR 30" DIAMETER CHUTE, A1 CONFIGURATION
SHEET 1 OF 1	REV A	PART # UMT 230 SERIES BISORTER



UMT™ 324 SERIES END-LOAD TRI-SORTER

DESCRIPTION

THE UMT™ 324 SERIES TRI-SORTER IS DESIGNED TO PROVIDE EASY CONTROL OF TRASH FLOW, AND TO DISPLAY INFORMATION ON THE OPERATIONS OF THE CONNECTED EASY-WAVE™ TRASH CHUTE SYSTEM.

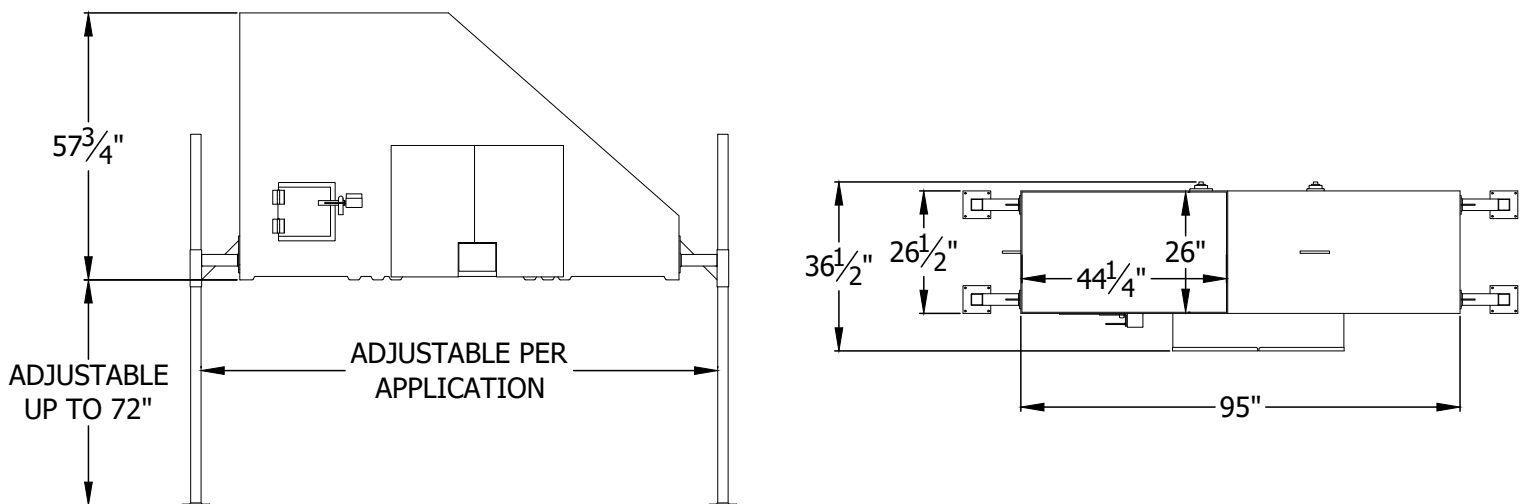
THE UMT™ 324 SERIES TRI-SORTER IS INSTALLED BELOW THE BUILDINGS TRASH CHUTE WHICH WILL THEN ALLOW THE SORTING MECHANISM TO DIVERT TRASH TO A COMPACTOR OR CONTAINER, RECYCLABLES TO A DEDICATED CONTAINER, AND COMPOST TO A DEDICATED CONTAINER. THE DIVERTER IS CONTROLLED AT EACH INTAKE FLOOR. THE USER SELECTS THE DESIRED SORTING TYPE WITH A PUSH BUTTON. IF THE SORTER SYSTEM IS INSTALLED WITH OUR EASY-WAVE INTERLOCK SYSTEM THE SELECTION BUTTON WILL BE INTEGRAL WITH THE SYSTEM.

SORTER SPECIFICATIONS

- THE SORTER BODY IS CONSTRUCTED OF 1/4" STEEL WHICH IS CONTINUOUSLY WELDED AND HAS A POWDER COAT FINISH.
- THE DIVERTER PLATE IS CONSTRUCTED OF 1/2" THICK HEAVY DUTY GRADE ALUMINUM.
- SUPPORT LEGS ARE ADJUSTABLE TO ACCOMMODATE VARIOUS COMPACTORS AND CONTAINERS ELECTRICAL

SPECIFICATIONS

- THE MAIN CONTROL PANEL RUNS 115VAC NOMINAL/6 AMPS MAXIMUM.
- ALL CONTROLS ARE 24 VOLT DC.
- MAIN CONTROLLER HAS 32 CHARACTER BACKLIT LCD.
- ALL ELECTRICAL COMPONENTS ARE UL LISTED.
- SENSOR BASED OPERATION - NO MECHANICAL LIMIT SWITCHES TO FAIL OR GO OUT OF ADJUSTMENT.
- SYSTEM STATUS IS DISPLAYED AT ALL TIMES.
- ACCESS DOOR IS SAFELY INTERLOCKED TO DISABLE SORTER WHEN OPENED.
- OPTIONAL BIN FULL SENSORS - SORTER IS LOCKED OUT WHEN BIN IS FULL.
- OPTIONAL BIN PRESENT SENSOR - SORTER LOCKED OUT IF BIN IS NOT PRESENT.
- ALL MECHANICAL PARTS ARE ENCLOSED TO ELIMINATE PINCH POINT INJURIES.

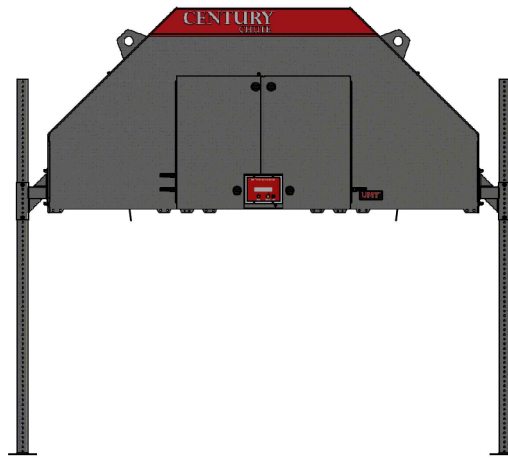


Century Chute LLC
105 INDUSTRIAL DR. MINOOKA, IL. 60447

THIS DRAWING CONTAINS DOCUMENTATION OF A CONFIDENTIAL AND PROPRIETARY NATURE WHICH IS THE PROPERTY OF AMERICAN CHUTE LLC. IT MAY NOT BE COPIED OR REPRODUCED IN ANY WAY WITHOUT THE WRITTEN CONSENT OF AMERICAN CHUTE LLC. THIS DOCUMENT IS LOANED TO THE HOLDER BY AMERICAN CHUTE LLC AND IS SUBJECT TO RETURN ON DEMAND. THE EXPRESSED CONDITION OF THIS LOAN IS THAT IT WILL NOT BE USED DIRECTLY OR INDIRECTLY IN ANY WAY AS TO BE DETRIMENTAL TO THE INTERESTS OF AMERICAN CHUTE LLC.

UNLESS OTHERWISE INDICATED, DIMENSIONS ARE IN INCHES AND TOLERANCES ARE AS FOLLOWS:
XX = +/- .030 XXX = +/- .020 L = +/- 1/2"
BREAK ALL SHARP EDGES
ANY SPECIFIED SCALE IS FOR REFERENCE ONLY - DO NOT SCALE

DWG BY:	FP	DESCRIPTION
DATE:	12/11/23	END-LOAD TRISORTER FOR 24" DIAMETER CHUTE
SHEET	1 OF 1	
REV	PART #	
A	UMT 324 SERIES TRISORTER	



UMT™ 324 SERIES CENTER LOAD TRI-SORTER

DESCRIPTION

THE UMT™ 324 SERIES TRI-SORTER IS DESIGNED TO PROVIDE EASY CONTROL OF TRASH FLOW, AND TO DISPLAY INFORMATION ON THE OPERATIONS OF THE CONNECTED EASY-WAVE™ TRASH CHUTE SYSTEM.

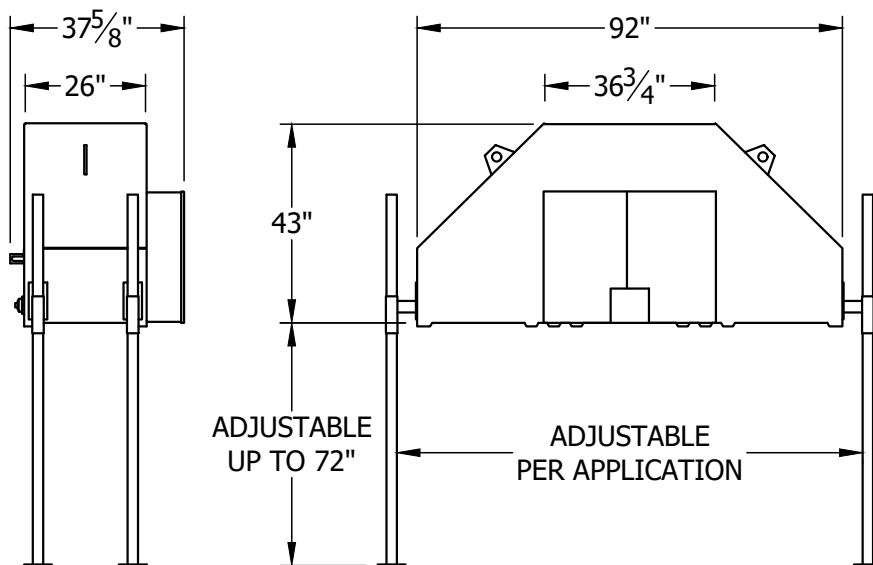
THE UMT™ 324 SERIES TRI-SORTER IS INSTALLED BELOW THE BUILDINGS TRASH CHUTE WHICH WILL THEN ALLOW THE SORTING MECHANISM TO DIVERT TRASH TO A COMPACTOR OR CONTAINER, RECYCLABLES TO A DEDICATED CONTAINER, AND COMPOST TO A DEDICATED CONTAINER. THE DIVERTER IS CONTROLLED AT EACH INTAKE FLOOR. THE USER SELECTS THE DESIRED SORTING TYPE WITH A PUSH BUTTON. IF THE SORTER SYSTEM IS INSTALLED WITH OUR EASY-WAVE INTERLOCK SYSTEM THE SELECTION BUTTON WILL BE INTEGRAL WITH THE SYSTEM.

SORTER SPECIFICATIONS

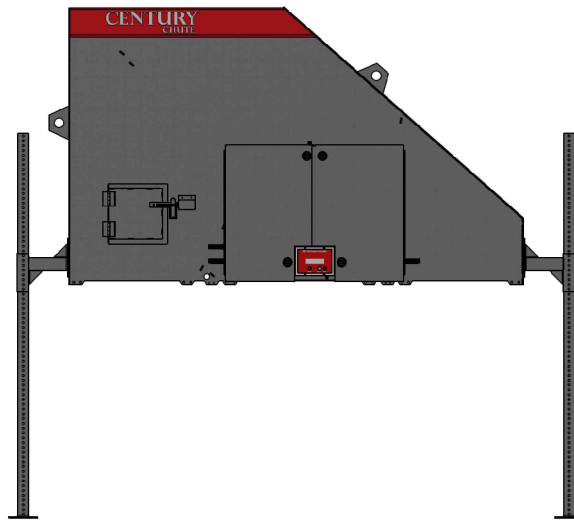
- THE SORTER BODY IS CONSTRUCTED OF 1/4" STEEL WHICH IS CONTINUOUSLY WELDED AND HAS A POWDER COAT FINISH.
- THE DIVERTER PLATE IS CONSTRUCTED OF 1/2" THICK HEAVY DUTY GRADE ALUMINUM.
- SUPPORT LEGS ARE ADJUSTABLE TO ACCOMMODATE VARIOUS COMPACTORS AND CONTAINERS ELECTRICAL

SPECIFICATIONS

- THE MAIN CONTROL PANEL RUNS 115VAC NOMINAL/6 AMPS MAXIMUM.
- ALL CONTROLS ARE 24 VOLT DC.
- MAIN CONTROLLER HAS 32 CHARACTER BACKLIT LCD.
- ALL ELECTRICAL COMPONENTS ARE UL LISTED.
- SENSOR BASED OPERATION - NO MECHANICAL LIMIT SWITCHES TO FAIL OR GO OUT OF ADJUSTMENT.
- SYSTEM STATUS IS DISPLAYED AT ALL TIMES.
- ACCESS DOOR IS SAFELY INTERLOCKED TO DISABLE SORTER WHEN OPENED.
- OPTIONAL BIN FULL SENSORS - SORTER IS LOCKED OUT WHEN BIN IS FULL.
- OPTIONAL BIN PRESENT SENSOR - SORTER LOCKED OUT IF BIN IS NOT PRESENT.
- ALL MECHANICAL PARTS ARE ENCLOSED TO ELIMINATE PINCH POINT INJURIES.



Century Chute LLC 105 INDUSTRIAL DR. MINOOKA, IL. 60447 <small>THIS DRAWING CONTAINS DOCUMENTATION OF A CONFIDENTIAL AND PROPRIETARY NATURE WHICH IS THE PROPERTY OF AMERICAN CHUTE LLC. IT MAY NOT BE COPIED OR REPRODUCED IN ANY WAY WITHOUT THE WRITTEN CONSENT OF AMERICAN CHUTE LLC. THIS DOCUMENT IS LOANED TO THE HOLDER BY AMERICAN CHUTE LLC AND IS SUBJECT TO RETURN ON DEMAND. THE EXPRESSED CONDITION OF THIS LOAN IS THAT IT WILL NOT BE USED DIRECTLY OR INDIRECTLY IN ANY WAY AS TO BE DETRIMENTAL TO THE INTERESTS OF AMERICAN CHUTE LLC.</small> <small>UNLESS OTHERWISE INDICATED, DIMENSIONS ARE IN INCHES AND TOLERANCES ARE AS FOLLOWS: XX = +/- .030 XXX = +/- .020 L = +/- 1/2" BREAK ALL SHARP EDGES ANY SPECIFIED SCALE IS FOR REFERENCE ONLY - DO NOT SCALE</small>	DWG BY: FP	DESCRIPTION
	DATE: 12/11/23	CENTER-LOAD TRISORTER FOR 24" DIAMETER CHUTE
SHEET 1 OF 1	REV A	PART # UMT 324 SERIES TRISORTER



UMT™ 330 SERIES END-LOAD TRI-SORTER

DESCRIPTION

THE UMT™ 330 SERIES TRI-SORTER IS DESIGNED TO PROVIDE EASY CONTROL OF TRASH FLOW, AND TO DISPLAY INFORMATION ON THE OPERATIONS OF THE CONNECTED EASY-WAVE™ TRASH CHUTE SYSTEM.

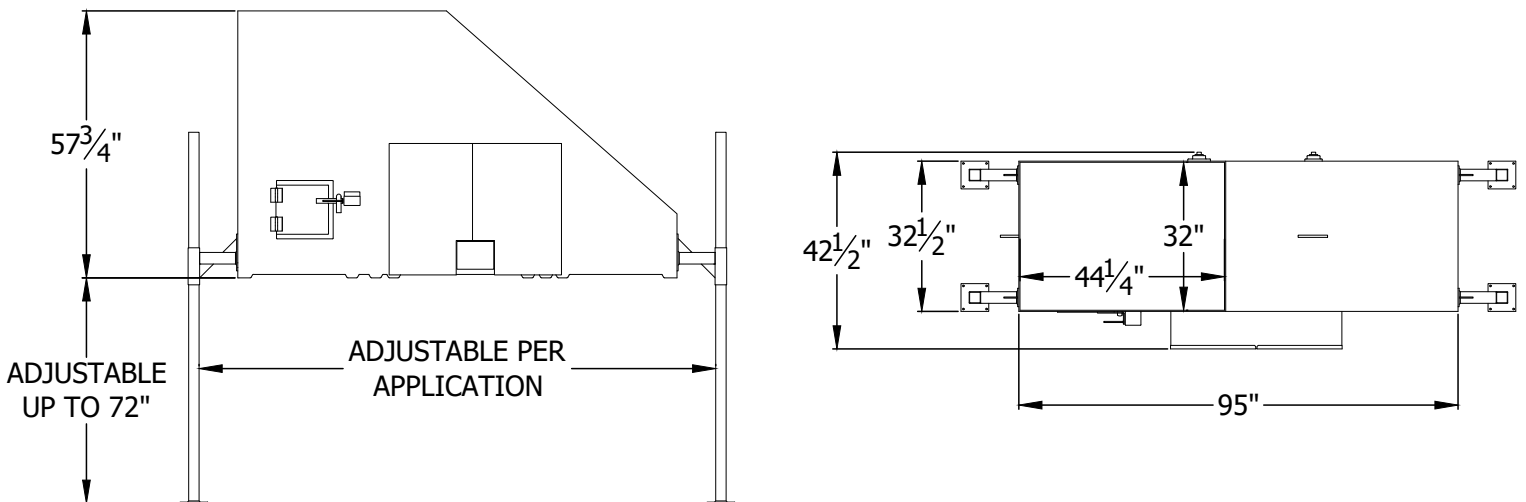
THE UMT™ 330 SERIES TRI-SORTER IS INSTALLED BELOW THE BUILDINGS TRASH CHUTE WHICH WILL THEN ALLOW THE SORTING MECHANISM TO DIVERT TRASH TO A COMPACTOR OR CONTAINER, RECYCLABLES TO A DEDICATED CONTAINER, AND COMPOST TO A DEDICATED CONTAINER. THE DIVERTER IS CONTROLLED AT EACH INTAKE FLOOR. THE USER SELECTS THE DESIRED SORTING TYPE WITH A PUSH BUTTON. IF THE SORTER SYSTEM IS INSTALLED WITH OUR EASY-WAVE INTERLOCK SYSTEM THE SELECTION BUTTON WILL BE INTEGRAL WITH THE SYSTEM.

SORTER SPECIFICATIONS

- THE SORTER BODY IS CONSTRUCTED OF 1/4" STEEL WHICH IS CONTINUOUSLY WELDED AND HAS A POWDER COAT FINISH.
- THE DIVERTER PLATE IS CONSTRUCTED OF 1/2" THICK HEAVY DUTY GRADE ALUMINUM.
- SUPPORT LEGS ARE ADJUSTABLE TO ACCOMMODATE VARIOUS COMPACTORS AND CONTAINERS ELECTRICAL

SPECIFICATIONS

- THE MAIN CONTROL PANEL RUNS 115VAC NOMINAL/6 AMPS MAXIMUM.
- ALL CONTROLS ARE 24 VOLT DC.
- MAIN CONTROLLER HAS 32 CHARACTER BACKLIT LCD.
- ALL ELECTRICAL COMPONENTS ARE UL LISTED.
- SENSOR BASED OPERATION - NO MECHANICAL LIMIT SWITCHES TO FAIL OR GO OUT OF ADJUSTMENT.
- SYSTEM STATUS IS DISPLAYED AT ALL TIMES.
- ACCESS DOOR IS SAFELY INTERLOCKED TO DISABLE SORTER WHEN OPENED.
- OPTIONAL BIN FULL SENSORS - SORTER IS LOCKED OUT WHEN BIN IS FULL.
- OPTIONAL BIN PRESENT SENSOR - SORTER LOCKED OUT IF BIN IS NOT PRESENT.
- ALL MECHANICAL PARTS ARE ENCLOSED TO ELIMINATE PINCH POINT INJURIES.



Century Chute LLC
105 INDUSTRIAL DR. MINOOKA, IL. 60447

THIS DRAWING CONTAINS DOCUMENTATION OF A CONFIDENTIAL AND PROPRIETARY NATURE WHICH IS THE PROPERTY OF AMERICAN CHUTE LLC. IT MAY NOT BE COPIED OR REPRODUCED IN ANY WAY WITHOUT THE WRITTEN CONSENT OF AMERICAN CHUTE LLC. THIS DOCUMENT IS LOANED TO THE HOLDER BY AMERICAN CHUTE LLC AND IS SUBJECT TO RETURN ON DEMAND. THE EXPRESSED CONDITION OF THIS LOAN IS THAT IT WILL NOT BE USED DIRECTLY OR INDIRECTLY IN ANY WAY AS TO BE DETRIMENTAL TO THE INTERESTS OF AMERICAN CHUTE LLC.

UNLESS OTHERWISE INDICATED, DIMENSIONS ARE IN INCHES AND TOLERANCES ARE AS FOLLOWS:
XX = +/- .030 XXX = +/- .020 L = +/- 1/2"
BREAK ALL SHARP EDGES
ANY SPECIFIED SCALE IS FOR REFERENCE ONLY - DO NOT SCALE

DWG BY: FP

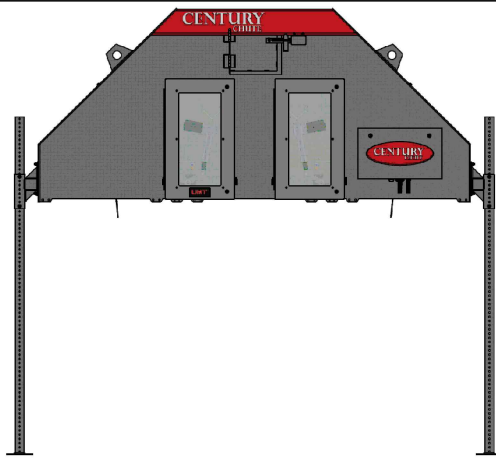
DATE: 12/11/23

SHEET 1 OF 1

REV A

DESCRIPTION
END-LOAD TRISORTER FOR
30" DIAMETER CHUTE

PART #
UMT 330 SERIES TRISORTER



UMT™ 330 SERIES CENTER LOAD TRI-SORTER

DESCRIPTION

THE UMT™ 330 SERIES TRI-SORTER IS DESIGNED TO PROVIDE EASY CONTROL OF TRASH FLOW, AND TO DISPLAY INFORMATION ON THE OPERATIONS OF THE CONNECTED EASY-WAVE™ TRASH CHUTE SYSTEM.

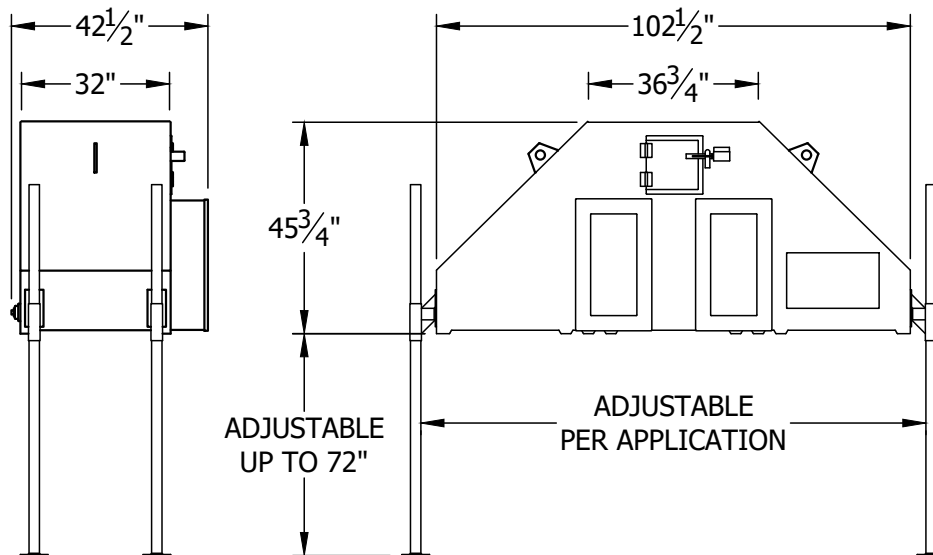
THE UMT™ 330 SERIES TRI-SORTER IS INSTALLED BELOW THE BUILDINGS TRASH CHUTE WHICH WILL THEN ALLOW THE SORTING MECHANISM TO DIVERT TRASH TO A COMPACTOR OR CONTAINER, RECYCLABLES TO A DEDICATED CONTAINER, AND COMPOST TO A DEDICATED CONTAINER. THE DIVERTER IS CONTROLLED AT EACH INTAKE FLOOR. THE USER SELECTS THE DESIRED SORTING TYPE WITH A PUSH BUTTON. IF THE SORTER SYSTEM IS INSTALLED WITH OUR EASY-WAVE INTERLOCK SYSTEM THE SELECTION BUTTON WILL BE INTEGRAL WITH THE SYSTEM.

SORTER SPECIFICATIONS

- THE SORTER BODY IS CONSTRUCTED OF 1/4" STEEL WHICH IS CONTINUOUSLY WELDED AND HAS A POWDER COAT FINISH.
- THE DIVERTER PLATE IS CONSTRUCTED OF 1/2" THICK HEAVY DUTY GRADE ALUMINUM.
- SUPPORT LEGS ARE ADJUSTABLE TO ACCOMMODATE VARIOUS COMPACTORS AND CONTAINERS ELECTRICAL

SPECIFICATIONS

- THE MAIN CONTROL PANEL RUNS 115VAC NOMINAL/6 AMPS MAXIMUM.
- ALL CONTROLS ARE 24 VOLT DC.
- MAIN CONTROLLER HAS 32 CHARACTER BACKLIT LCD.
- ALL ELECTRICAL COMPONENTS ARE UL LISTED.
- SENSOR BASED OPERATION - NO MECHANICAL LIMIT SWITCHES TO FAIL OR GO OUT OF ADJUSTMENT.
- SYSTEM STATUS IS DISPLAYED AT ALL TIMES.
- ACCESS DOOR IS SAFELY INTERLOCKED TO DISABLE SORTER WHEN OPENED.
- OPTIONAL BIN FULL SENSORS - SORTER IS LOCKED OUT WHEN BIN IS FULL.
- OPTIONAL BIN PRESENT SENSOR - SORTER LOCKED OUT IF BIN IS NOT PRESENT.
- ALL MECHANICAL PARTS ARE ENCLOSED TO ELIMINATE PINCH POINT INJURIES.



Century Chute LLC 105 INDUSTRIAL DR. MINOOKA, IL. 60447 <small>THIS DRAWING CONTAINS DOCUMENTATION OF A CONFIDENTIAL AND PROPRIETARY NATURE WHICH IS THE PROPERTY OF AMERICAN CHUTE LLC. IT MAY NOT BE COPIED OR REPRODUCED IN ANY WAY WITHOUT THE WRITTEN CONSENT OF AMERICAN CHUTE LLC. THIS DOCUMENT IS LOANED TO THE HOLDER BY AMERICAN CHUTE LLC AND IS SUBJECT TO RETURN ON DEMAND. THE EXPRESSED CONDITION OF THIS LOAN IS THAT IT WILL NOT BE USED DIRECTLY OR INDIRECTLY IN ANY WAY AS TO BE DETRIMENTAL TO THE INTERESTS OF AMERICAN CHUTE LLC.</small> <small>UNLESS OTHERWISE INDICATED, DIMENSIONS ARE IN INCHES AND TOLERANCES ARE AS FOLLOWS: XX = +/- .030 XXX = +/- .020 L = +/- 1/2" BREAK ALL SHARP EDGES ANY SPECIFIED SCALE IS FOR REFERENCE ONLY - DO NOT SCALE</small>	DWG BY: FP	DESCRIPTION
	DATE: 12/11/23	CENTER-LOAD TRISORTER FOR 30" DIAMETER CHUTE
SHEET 1 OF 1	REV A	PART # UMT 330 SERIES TRISORTER